

 **REAL-EL**

OPERATION MANUAL



**2.1 MULTIMEDIA
SPEAKER SYSTEM**

M-360

Congratulations on your purchase of the TM REAL-EL speaker system!

COPYRIGHT

© 2018. ENEL GROUP OU.

This Manual and information contained in are copyrighted. All rights reserved.

TRADEMARKS

All trademarks are the property of their legal holders.

NOTICE OF RESPONSIBILITY RESTRICTION

Despite the exerted efforts to make this Manual more exact, some discrepancies may occur. The information of this Manual is given on «as is» terms. The author and the publisher do not bear any liability to a person or an organization for loss or damage which has arisen from the information contained in this Manual.

CONTENTS

1. BUYER RECOMMENDATIONS	1
2. PACKAGE CONTENTS	2
3. SAFETY PRECAUTIONS	2
4. TECHNICAL DESCRIPTION	2
5. CONNECTION	5
6. OPERATION MODES	6
7. TROUBLESHOOTING	7
8. TECHNICAL SPECIFICATIONS	7

1. BUYER RECOMMENDATIONS

- Unpack the device carefully. Make sure there are no accessories left in the box. Check up the device for damage; if the product was damaged during transportation, address the firm, which carried out the delivery; if the product functions incorrectly, address the dealer at once.
- Check up the package contents and availability of the warranty card. Make sure the warranty card has a shop stamp, a legible signature or the seller's stamp and purchase date, and the goods number corresponds to that in the warranty card. Remember: in case of warranty card loss or discrepancy of numbers you forfeit the right for warranty repairs.
- Do not switch on the speaker system immediately after you bring it into a room from environment with negative temperature! After unpacking, the speaker system should be kept in conditions of room temperature for at least 4 hours.
- Before installing and using the speaker system, read this Manual carefully and keep it for future reference.

2. PACKAGE CONTENTS

- Subwoofer – 1 pc
- Satellites – 2 pcs
- Remote control (RC) – 1 pc
- AAA type batteries – 2 pcs
- Signal cable – 1 pc
- FM antenna – 1 pc
- Operation manual – 1 pc
- Warranty card – 1 pc

3. SAFETY PRECAUTIONS

- Do not open acoustic system (MSS) and do not perform repairs by yourself. Service and repairs should be performed by qualified specialists in an authorized service center only. The list of authorized service centers is available at www.real-el.com
- Do not put foreign objects inside the holes of the MSS.
- Protect the MSS from high humidity, water and dust.
- Protect the MSS from heating: do not place it closer heat source. Do not expose it to direct sunlight.
- Do not place any open flame sources on or close to MSS.
- Do not use any chemical agents for cleaning. Clean it with dry soft cloth only.
- In case of MSS does not work properly, power cable must be disconnected. Please contact place of purchase or service center.

4. TECHNICAL DESCRIPTION

M-360 2.1 Multimedia Speaker System (MSS) is designed to play music and sound games, movies, etc. The MSS can be connected to most of audio source (CD/DVD-player, TV, phone, PC, etc.) without using an additional power amplifier. The MSS has a built-in FM radio and audio files player USB flash, SD card.

Features

- USB flash drive, SD card
- Digital display
- FM radio
- Remote control
- Wooden case of subwoofer and satellites

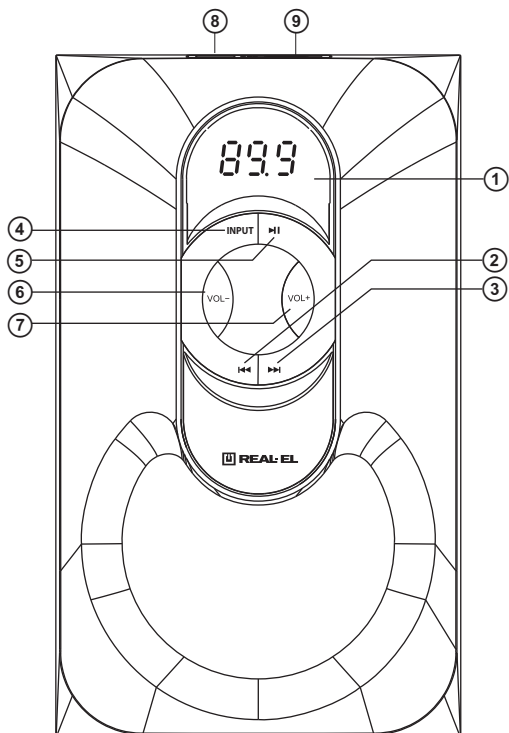


Fig. 1. Subwoofer control panel

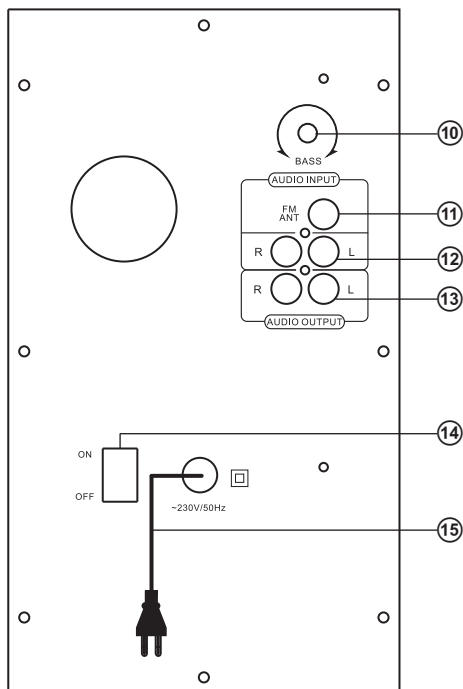


Fig. 2. Subwoofer rear panel

Subwoofer control panels:

- ① LED display
- ② ⏮: previous track (press shortly in the Player mode); previous station (press shortly in the Radio mode)
- ③ ⏭: next track (press shortly in the Player mode); next station (press shortly in the Radio mode)
- ④ INPUT: switch button of PC/FM/USB/SD (MMC)
- ⑤ ⏮: Play/Pause (press shortly in the Player mode); Start/Stop auto scan (press shortly in the Radio mode)
- ⑥ VOL-: volume decrease button
- ⑦ VOL+: volume increase button
- ⑧ USB: port for a USB flash device* containing MP3, WAV audio files

- ⑨ SD/MMC: slot for SD/MMC cards* containing MP3, WAV audio files
- ⑩ BASS: bass level control
- ⑪ FM ANT: radio antenna input jack
- ⑫ AUDIO INPUT: jack to connect PC, mobile devices, and other audio sources
- ⑬ AUDIO OUTPUT: jack to connect satellites
- ⑭ ON/OFF : power switch
- ⑮ Power cord

* Connection of external hard disks other than USB flash drive is not recommended, otherwise it can cause the MSS damage.

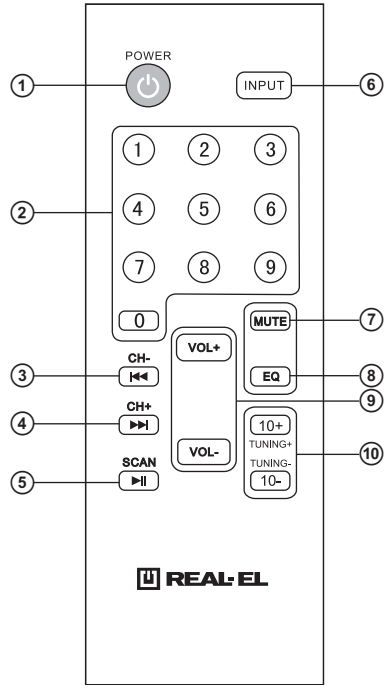


Fig. 3. Remote control

Remote control:

- ① ⏻: long press for ON/OFF ; short press - reset to factory settings
- ② 0-9: numeric pad
- ③ ⏮: previous track (press shortly in the Player); previous station (press shortly in the Radio mode)
- ④ ⏭: next track (press shortly in the Player); next station (press shortly in the Radio mode)
- ⑤ ⏸: Play/Pause (press shortly in the Player mode); auto scan start/stop (press shortly in the Radio mode)
- ⑥ INPUT: choose a mode
- ⑦ MUTE: sound on/off button
- ⑧ EQ: equalizer mode switch button (in the Player mode)
- ⑨ VOL+/-: volume level control buttons
- ⑩ TUNING-/+: buttons for manual radio frequency scanning.

2.1 USB Multimedia Speaker System

M-360

5. CONNECTION

Connection MSS

M-360 speaker system can be connected to most of audio devices: DVD/CD players, PCs, laptops, etc. (see connection diagram in Fig. 4).

- Before making any connections, make sure the MSS is off and unplugged. Then connect satellites to the subwoofer AUDIO OUTPUT L/R ⑩ jacks using built-in audio cables. Connect the right satellite to the subwoofer AUDIO OUTPUT R and the left satellite – to the AUDIO OUTPUT L (see connection diagram in Fig. 4).

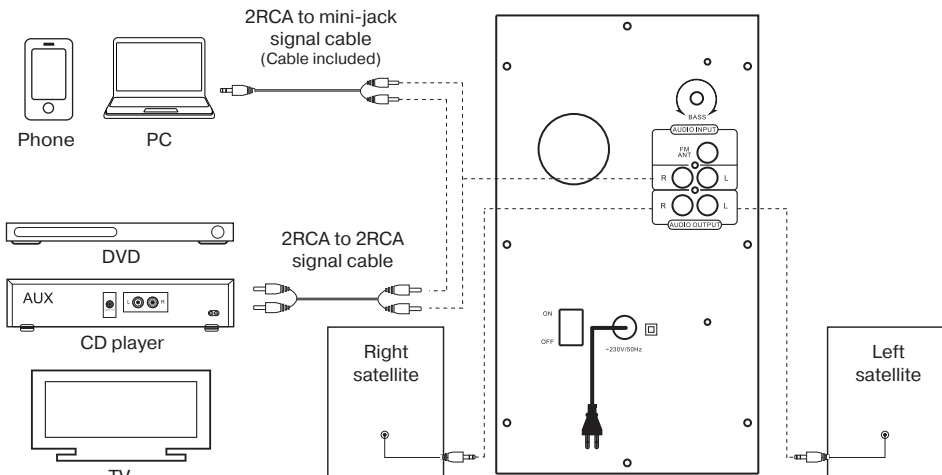


Fig. 4. Connection diagram

6. OPERATION MODES

Player Mode

- The system will enter the Player mode automatically when a carrier (USB flash or SD/MMC card)* is connected to corresponding ports ⑧ or ⑨; or press INPUT button ④ on the front panel of the subwoofer or INPUT ⑥ button on the remote control. The LED display will show selected mode, number of the tracks found and the track's number on the play list and then the playback time. The playback will start automatically.
- To select a track, you can directly enter its number on the remote control using the numeric pad buttons ②. The display will show the track number for a short time and then the playback time elapsed.
- EQ mode (in the Player mode). There are 7 available preset settings: bas; pop; roc; jaz; cla; cou; nor.

* The operation may be incorrect if a SD card of 512 Mb capacity or lower is used. If a USB flash device of 8 Gb capacity or more is used, command processing time may be extended.

Tuner Mode

- Use INPUT button ④ on the front panel of the subwoofer or INPUT ⑥ on the remote control to enter the Tuner mode. The display will backlight the current adjustment frequency.
- Press and hold button ⑤ on the front panel of the subwoofer or button ⑤ on the remote control short to auto scan and memorize the found stations. The second pressing of this button before the scanning is over will stop the auto scanning process. The display shows the frequency being scanned, when a radio station is being memorized, the display shows its assigned sequence number for a short moment.
- For manual scanning, use buttons TUNING +/- ⑩ on the remote control (up/down the frequency range).
- If preset radio stations are available in the memory, you can switch from one to another by short pressing buttons ② and ③ on the front panel of the subwoofer or buttons ③ and ④ on the remote control. You can also enter the frequency or the number of the preset station using numeric pad buttons ② on the remote control. The display will show the station number for a short moment and then its frequency.

“Line input” Mode (AUDIO INPUT)

- Press INPUT button ④ on the front panel of the subwoofer or INPUT ⑥ on the remote control to switch to the PC mode. The display will show PC inscription.

MUTE Mode

- To enter the MUTE mode, press button ⑦ on the remote control. To quit the MUTE mode press the button ⑦ repeatedly or press one of the buttons VOL +/- ⑨ on the remote control

Note. Due to the constant development of the software, the actual MSS operation may differ from described in this Manual. The most recent version of the Manual is available at www.real-el.ua

7. TROUBLESHOOTING

Problem	Cause	Solution
The MSS does not turn on.	The MSS isn't connected to a mains outlet.	Check the connection.
	The power switch is off.	Turn on the switch.
No sound or the sound is too quiet.	Volume level is set at minimum value.	Adjust the volume control knob.
	Improperly connected audio source.	Connect the audio sources correctly.
Distortion of sound.	Large amplitude of the input signal.	Turn down the source volume and the MSS volume.
The remote control is not working.	The batteries are discharged.	Replace the batteries with new ones.

If none of the above methods can solve the problem, please seek professional advice at your nearest service center. Never attempt to repair the product yourself.

8. TECHNICAL SPECIFICATIONS

Parameter, measurement unit	Value
Output power (RMS), W	44 (20 + 2 × 12)
subwoofer	20
satellites	2 × 12
Frequency response, Hz	
subwoofer	40 – 200
satellites	200 – 20 000
Speaker diameter, mm	
subwoofer	Ø 127
satellites	Ø 76
Power supply, V/Hz	~230/50
Dimensions, mm	
subwoofer	160 × 258 × 273
satellites (one speaker)	105 × 110 × 172
Weight, kg	3.1

Notes:

- Technical specifications given in this table are supplemental information and cannot give occasion to claims.
- Technical specifications and package contents are subject to change without notice due to the improvement of REAL-EL production.



Models: **M-360**

Manufacturer: ENEL GROUP OU, Katusepapi tn 6, Lasnamäe linnaosa, Tallinn, Harju maakond, 11412, Estonia. Made in China.

© **Registered Trademark of ENEL GROUP OU. Estonia.**